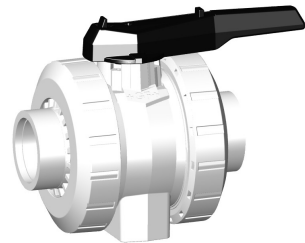


DN10/15 - 50



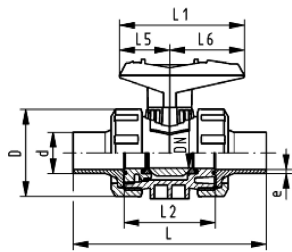
SYGEF Standard
Ball valve type 546
With mounting inserts
With butt fusion spigots IR-Plus metric

Model:

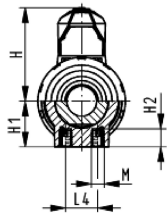
- Material: PVDF
- For easy installation and removal
- Ball seat PTFE
- Integrated stainless steel mounting inserts
- Valve end and union nut are **not compatible** with type 346 (DN10/15-50) and type 370 (DN65-100)

Option:

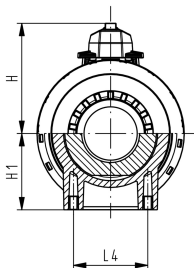
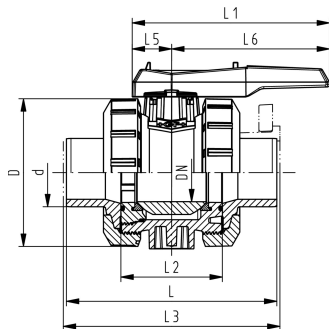
- Individual configuration of the valve
- Multifunctional module with integrated limit switches
- Pneumatic or electric actuators from GF



d (mm)	PN (bar)	kv-value ($\Delta p=1$ bar) (l/min)	FKM Code	Weight (kg)
20	16	185	175 546 272	0.201
25	16	350	175 546 273	0.301
32	16	700	175 546 274	0.438
40	16	1000	175 546 275	0.780
50	16	1600	175 546 276	1.110
63	16	3100	175 546 277	1.958
75	16	5000	175 546 278	7.600
90	16	7000	175 546 279	7.457
110	16	11000	175 546 280	17.400



d (mm)	D (mm)	H (mm)	H1 (mm)	H2 (mm)	L (mm)	L1 (mm)	L2 (mm)	L4 (mm)	L5 (mm)	L6 (mm)	M	e (mm)	closest inch (inch)
20	50	57	27	12	130	77	56	25	32	45	M6	1.9	1/2
25	58	67	30	12	143	97	65	25	39	58	M6	1.9	3/4
32	68	73	36	12	150	97	71	25	39	58	M6	2.4	1
40	84	90	44	15	171	128	85	45	54	74	M8	2.4	1 1/4
50	97	97	51	15	191	128	89	45	54	74	M8	3.0	1 1/2
63	124	116	64	15	220	152	101	45	66	87	M8	3.0	2
75	166	149	85	15	266	270	136	70	64	206	M8	3.6	2 1/2
90	200	161	105	15	264	270	141	70	64	206	M8	4.3	3
110	238	178	123	22	301	320	164	120	64	256	M12	5.3	4



Data sheet

valid from: 10/22/23



The technical data are not binding. They neither constitute expressly warranted characteristics nor guaranteed properties nor a guaranteed durability. They are subject to modification. Our General Terms of Sale apply.

Georg Fischer Piping Systems Ltd, Postfach, CH-8201 Schaffhausen/Switzerland Phone +41 -(0)52-631 1111 e-mail: info.ps@georgfischer.com Internet: <http://www.gfps.com>