

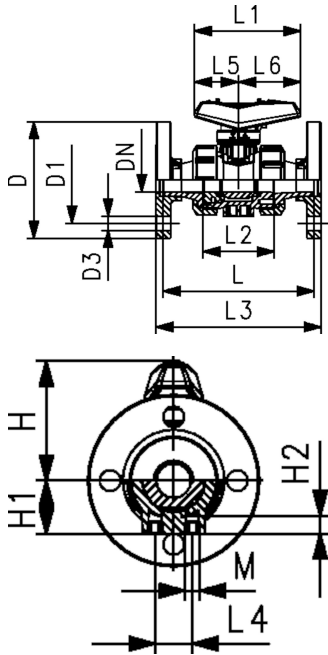
Ball valve type 546 Pro PVC-U With fixed flanges PVC-U serrated metric

Model:

- Lockable as a standard (DN10-50)
- Integrated stainless steel mounting inserts
- Z-dimension, valve end and union nut **are compatible** with type 546 (1st Generation)
- For easy installation and removal
- Ball seat PTFE
- Overall length according to EN 558 (basic series: row 1)
- Connecting dimension: ISO 7005 PN10, EN 1092 PN10, DIN 2501 PN10

Option:

- Individual configuration of the valve possible
- Pneumatic or electric actuators from GF
- Interface-module with position feedback sensor, incl. LED feedback (DN10-50)
- Manual spring return lever ("Dead man") (DN10-25)
- Multifunctional module with integrated limit switches (DN65-100)



d (mm)	DN (mm)	PN (bar)	kv-value ($\Delta p=1$ bar) (L/min)	EPDM Code	SP	Weight (kg)	FKM Code	SP	Weight (kg)
20	15	16	185	800 000 182	1	0.370	800 042 709	1	0.420
25	20	16	350	800 026 579	1	0.520	800 000 193	1	0.510
32	25	16	700	800 011 080	1	0.730	800 011 076	1	0.731
40	32	16	1000	800 011 174	1	1.245	800 000 195	1	1.230
50	40	16	1600	800 011 171	1	1.617	800 042 713	1	1.640
63	50	16	3100	800 011 039	1	2.656	800 011 040	1	2.710

d (mm)	D (mm)	D1 (mm)	D3 (mm)	H (mm)	H1 (mm)	L3 (mm)	L1 (mm)	L2 (mm)	L (mm)	L4 (mm)	L5 (mm)	L6 (mm)	closest inch (inch)
20	95	65	14	57	27	130	77	56	124	25	32	45	½
25	105	75	14	67	30	150	97	65	144	25	39	58	¾
32	115	85	14	73	36	160	97	71	154	25	39	58	1
40	140	100	18	90	44	180	128	85	174	45	54	74	1 ¼
50	150	110	18	97	51	200	128	89	194	45	54	74	1 ½
63	165	125	18	116	64	230	152	101	224	45	66	87	2

The technical data are not binding. They neither constitute expressly warranted characteristics nor guaranteed properties nor a guaranteed durability. They are subject to modification. Our General Terms of Sale apply.

Georg Fischer Piping Systems Ltd, Postfach, CH-8201 Schaffhausen/Switzerland

Phone +41 -(0)52-631 1111

e-mail: info.ps@georgfischer.com

Internet: <http://www.gfps.com>