

**Diaphragm valve DIASTAR TenPlus PVC-U  
FC (Fail safe to close)  
Unions with solvent cement sockets metric**

**Model:**

- Double flow rate compared to predecessor
- One housing nut replaces four screws
- Rotating air connection at 90° intervals
- For easy installation and removal
- Short overall length

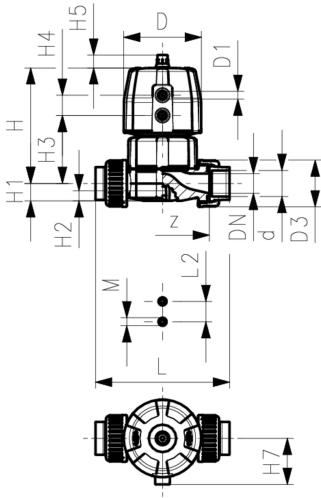
**Option:**

- Individual configuration of the valve
- Comprehensive range of accessories available
- PN16 available as a configuration

\* PN: PTFE

Working Pressure: **both sides**

\* O-Ring material: FKM



d (mm)	DN (mm)	Size (inch)	PN (bar)	PN* (bar)	kv-value (Δp=1 bar) (l/min)	EPDM Code	SP	Weight (kg)
16	10	3/8	10	10*	125	161 684 011	1	0.992
20	15	1/2	10	10*	125	161 684 012	1	1.384
25	20	3/4	10	10*	271	161 684 013	1	1.128
32	25	1	10	10*	481	161 684 014	1	2.048
40	32	1 1/4	10	10*	759	161 684 015	1	3.362
50	40	1 1/2	10	10*	1263	161 684 016	1	5.585
63	50	2	10	10*	1728	161 684 017	1	7.250

d (mm)	FKM Code	SP	Weight (kg)	PTFE/ EPDM* Code	SP	Weight (kg)	PTFE/FKM* Code	Weight (kg)
16	161 684 061	1	0.992	161 684 031	1	1.002		
20	161 684 062	1	1.384	161 684 032	1	0.996	161 684 052	0.996
25	161 684 063	1	1.128	161 684 033	1	1.131	161 684 053	1.131
32	161 684 064	1	2.048	161 684 034	1	2.055	161 684 054	2.055
40	161 684 065	1	3.362	161 684 035	1	3.306	161 684 055	3.306
50	161 684 066	1	5.585	161 684 036	1	5.242	161 684 056	5.242
63	161 684 067	1	7.250	161 684 037	1	6.572	161 684 057	6.572

d (mm)	D (mm)	D1_G (inch)	H (mm)	H1 (mm)	H2 (mm)	H3 (mm)	H4 (mm)	H5 (mm)	H7 (mm)	L (mm)	L2 (mm)	M	z (mm)	Lift = Hx (mm)
16	96	3/8	127	14	12	68	25	16	57	170	25	M6	142	7
20	96	1/2	127	14	12	68	25	16	57	128	25	M6	96	7
25	96	3/4	132	18	12	73	25	16	57	152	25	M6	114	10
32	120	1	167	22	12	93	26	26	69	166	25	M6	122	13
40	150	1 1/4	196	26	15	101	36	26	88	192	45	M8	140	15
50	180	1 1/2	239	32	15	124	37	26	103	222	45	M8	160	19
63	180	2	251	39	15	137	37	26	103	266	45	M8	190	23

d (mm)	closest inch (inch)
16	3/8
20	1/2
25	3/4
32	1
40	1 1/4
50	1 1/2
63	2

# Data sheet

valid from: 12/24/23

---



The technical data are not binding. They neither constitute expressly warranted characteristics nor guaranteed properties nor a guaranteed durability. They are subject to modification. Our General Terms of Sale apply.

Georg Fischer Piping Systems Ltd, Postfach, CH-8201 Schaffhausen/Switzerland Phone +41 -(0)52-631 1111 e-mail: info.ps@georgfischer.com Internet: <http://www.gfps.com>