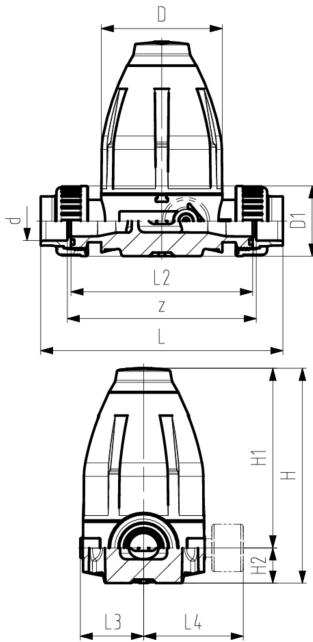


**SYGEF Standard Pressure reducing valve type 582**  
**Unions with butt fusion spigots SDR21 metric**  
**Without manometer**

**Model:**

- Diaphragm PTFE/EPDM
- Integrated stainless steel mounting inserts
- 0.5-9.0 bar (7-130 psi)

0.3-3.0 bar (4-44 psi) on request  
 Manometer on request



d (mm)	DN (mm)	Size (inch)	PN (bar)	O-rings FKM Code	Weight (kg)
20	15	½	10	<b>185 582 512</b>	0.830
25	20	¾	10	<b>185 582 513</b>	1.710
32	25	1	10	<b>185 582 514</b>	1.760
40	32	1 ¼	10	<b>185 582 515</b>	4.750
50	40	1 ½	10	<b>185 582 516</b>	4.840
63	50	2	10	<b>185 582 517</b>	5.140

d (mm)	D (mm)	D1 (mm)	H (mm)	H1 (mm)	H2 (mm)	H3 (mm)	L (mm)	L2 (mm)	L3 (mm)	M	closest inch (inch)
20	79	43	132	111	21	12	226	120	42	M6	½
25	100	53	177	148	29	14	262	150	53	M6	¾
32	100	60	177	148	29	14	268	150	53	M6	1
40	147	74	251	207	44	21	329	205	76	M8	1 ¼
50	147	82	251	207	44	21	335	205	76	M8	1 ½
63	147	100	251	207	44	21	341	205	76	M8	2

The technical data are not binding. They neither constitute expressly warranted characteristics nor guaranteed properties nor a guaranteed durability. They are subject to modification. Our General Terms of Sale apply.

Georg Fischer Piping Systems Ltd, Postfach, CH-8201 Schaffhausen/Switzerland  
 Phone +41 -(0)52-631 1111  
 e-mail: [info.ps@georgfischer.com](mailto:info.ps@georgfischer.com)  
 Internet: <http://www.gfps.com>